

10 9 8 7 6 5 4 3 2 1

F

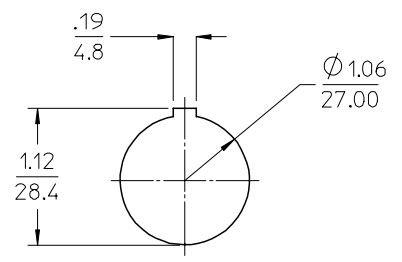
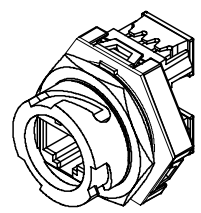
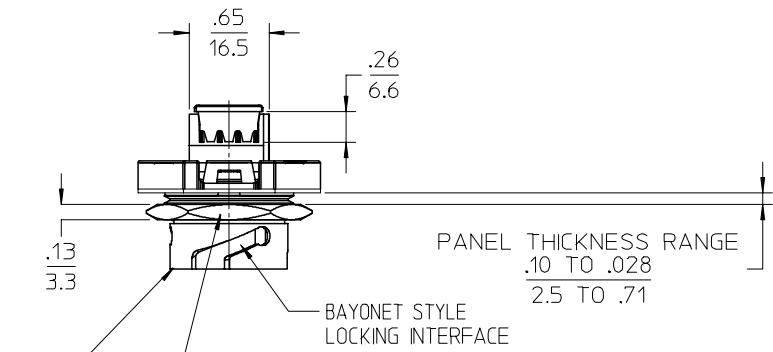
E

D

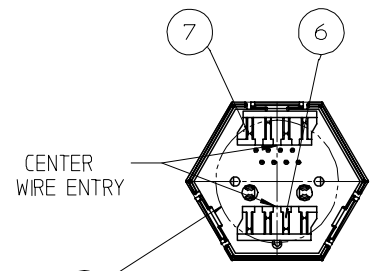
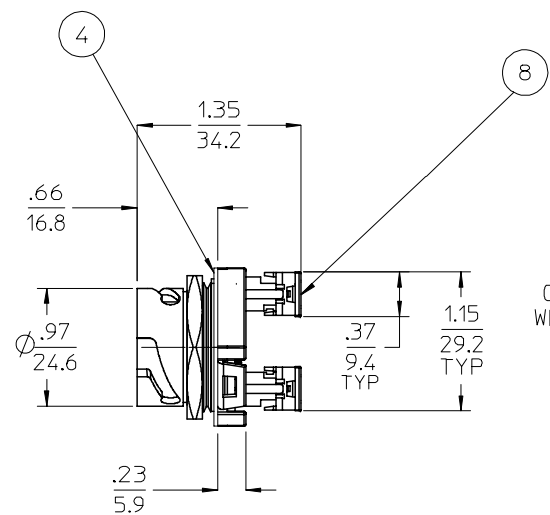
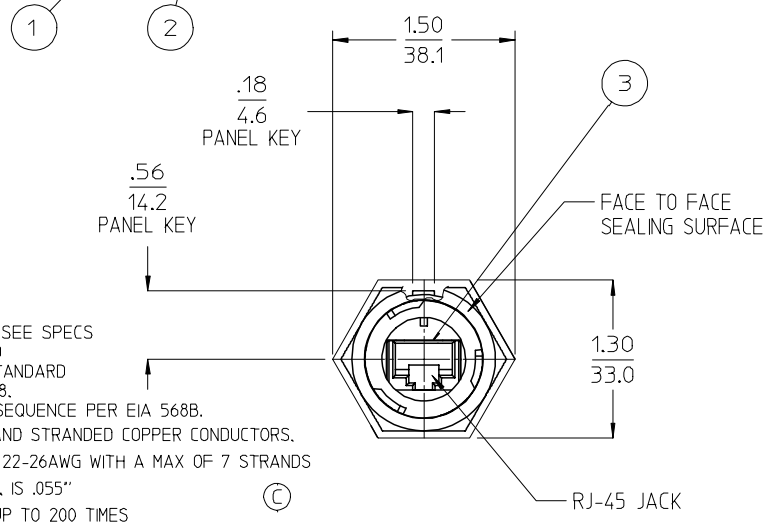
C

B

A



KNOCK OUT SIZE



- REAR -  
STUFFER CAP  
REMOVED FOR CLARITY

NOTES:

1. MATERIAL: SEE TABLE
2. FINISHES: SEE TABLE
3. PRODUCT SPECIFICATION: SEE SPECS
4. PACKAGING: AS REQUIRED
5. MATES WITH: INDUSTRY STANDARD
6. FORMERLY SD-84702-0008.
7. WIRING POLARIZATION & SEQUENCE PER EIA 568B.
8. COMPATIBLE WITH SOLID AND STRANDED COPPER CONDUCTORS.
9. CONDUCTOR RANGES ARE 22-26AWG WITH A MAX OF 7 STRANDS PER BUNDLE. LIMITING O.D. IS .055"
10. CAN BE RETERMINATED UP TO 200 TIMES

|      |      |                              |               |        |
|------|------|------------------------------|---------------|--------|
| 9    | A/R  | POTTING COMPOUND (NOT SHOWN) | EPOXY         | BLACK  |
| 8    | 2    | STUFFER CAP (MPN #201-345)   | THERMOPLASTIC | WHITE  |
| 7    | 1    | PUNCHDOWN BLOCK              | THERMOPLASTIC | WHITE  |
| 6    | 1    | PUNCHDOWN BLOCK              | THERMOPLASTIC | WHITE  |
| 5    | 1    | PCB                          | FR-4          | GREEN  |
| 4    | 1    | PANEL GASKET                 | NEOPRENE      | BLACK  |
| 3    | 1    | RJ-45 JACK W/PCB MTG         | POLYESTER     | BLACK  |
| 2    | 1    | LOCK NUT                     | POLYESTER     | BLACK  |
| 1    | 1    | RECEPTACLE HOUSING           | POYESTER      | BLACK  |
| ITEM | QTY. | DESCRIPTION                  | MATERIAL      | FINISH |

|                         |                 |
|-------------------------|-----------------|
| ADDED NOTES 8.9.10      | QUALITY SYMBOLS |
| EC NO: ETC2006-0133     | ▽=0             |
| DRWN:SRADLEY 2005/12/17 | ▽=0             |
| CHKD:RSTONE 2005/12/17  |                 |
| APPR:RDEROSS 2005/12/16 |                 |
| DESCRIPTION             |                 |
| REV                     |                 |

|  |
|--|
| GENERAL TOLERANCES (UNLESS SPECIFIED)                |
| 4 PLACES ± --- ± ---                                 |
| 3 PLACES ± --- ± .005                                |
| 2 PLACES ± 0.13 ± .01                                |
| 1 PLACE ± 0.13 ± ---                                 |
| ANGULAR ± 2 °  |
| DRAFT WHERE APPLICABLE MUST REMAIN WITHIN DIMENSIONS |

|                       |   |
|-----------------------|---|
| DIMENSION STYLE IN/MM |   |
| DRAWN BY              | DATE  |
| S. GILBERT            | 03/07/30  |
| CHECKED BY            | DATE  |
| P. WAITZ              | 03/11/20  |
| APPROVED BY           | DATE  |
| GHR                   | 04/03/08  |
| MATERIAL NO.          | DOCUMENT NO.  |
| 847020008             | SD-84702-005  |
| SIZE B                | THIS DRAWING CONTAINS INFORMATION THAT IS PROPRIETARY TO MOLEX INCORPORATED AND SHOULD NOT BE USED WITHOUT WRITTEN PERMISSION |

|   |                   |                        |
|---|-------------------|------------------------|
| SCALE 4:1   | DESIGN UNITS INCH | THIRD ANGLE PROJECTION |
| TITLE   |                   |                        |
| PANEL MTG. RECEPTACLE RJ-45 PUNCHDOWN CIC FULLY POTTED ETHERNET |                   |                        |
| MOLEX INCORPORATED  |                   |                        |
| DOCUMENT NO. SD-84702-005                                       |                   | SHEET NO. 1 OF 1       |

9 8 7 6 5 4 3 2 1